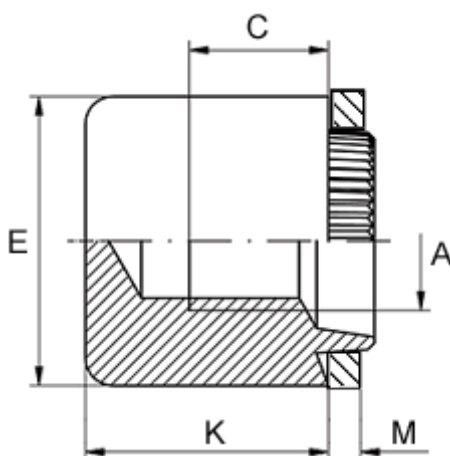


Article number: 12758000100120

Description: KLEE-coil 758 000 100.120
M10 Steel, zinc-pl. & chr. yellow

Measures



Female thread A	= M10
Height K	= 14.0
Min thread length C	= 6.0
Outer diameter E	= 19.0
Plate thickness	= 5.0
Recommended bore diameter for extreme load	= 15.0
Recommended bore diameter for normal use	= 16.0